



Trillo^{Pro}

profim



Designer

Joel Velasquez

ITO Design

Born in NYC in 1988. Raised in Bogota, Colombia. Lives and works in Nuremberg, Germany. He attended the Pontifical University of Bogota, where he graduated as an Industrial Designer in 2015. That same year, he joined ITO Design, where he develops innovative products, specifically in the areas of home and office furniture, among others.

Performing beyond the traditional office workspace creates exciting challenges of product development. Trillo^{Pro} responds to such challenges with a design that is playful, simple and unpretentious, yet fully functional.

Trillo^{Pro} is a chair that is supposed to be universal - in its characteristic, simple design and in terms of convenience. Economical chair - a small number of components and an attractive price.

A chair created for places where people are not attached to one place - a chair for everyone.

Perfect for coworking spaces - modern look, comfort for all users, economic advantage. Simple but not boring! The characteristic notch in the back of the backrest attracts attention and memorable.

The world is not slowing down at all. We are surrounded by constant movement, changes, challenges and sounds. **Modern offices resemble a game board - action, continuous movement, interactions, swap places, new tasks, shorter and longer meetings.**

The employee is less and less attached to one workplace. He decides where he will act - depending on the current needs. What chair will meet the requirement of such mobile and active environment? Universal, modern, easy to use and economical. We introduce you Trillo^{Pro}.

What is Trillo^{Pro}?

Trillo^{Pro} is a chair for everyone. **Simple but not boring.** Name? Literally - trillo is from Italian trill/trill, or sound, musical ornament - characteristic and pleasant to the ear. This is Trillo^{Pro} - simple, modern and characteristic detail, universal in its design and comfort.

For whom?

Designed to make every user feel comfortable. **A chair for everyone.** Especially for people active, aware, and those who like change but also those who appreciate interesting design, convenience, good quality of the product and its positive impact on the environment.

How it works?

Almost maintenance-free chair. The built-in mechanism ensures adaptation to the user's weight. Ready for action anytime - no adjustment required.

Where will it work?

A chair ideal for places used by various users. Perfect for collaborative space, co-work, home office, hot desk and conference rooms. Its **compact size, aesthetic and distinctive appearance** allow for easy adaptation. It will add a final touch to every space due to many colour combinations it provides.

What is Trillo^{Pro} like?



Modern, light and aesthetic

The line of armrests smoothly changes into the seat, unusual combination of armrests with backrest, characteristic notch along the backrest.

Characteristic/distinctive

It is easy to remember and gets attention.



Easy to adjust

Intuitive Synchro Self mechanism, embedded in the seat, aesthetic.



Comfortable

Soft seat and ergonomically profiled backrest for comfort during work.

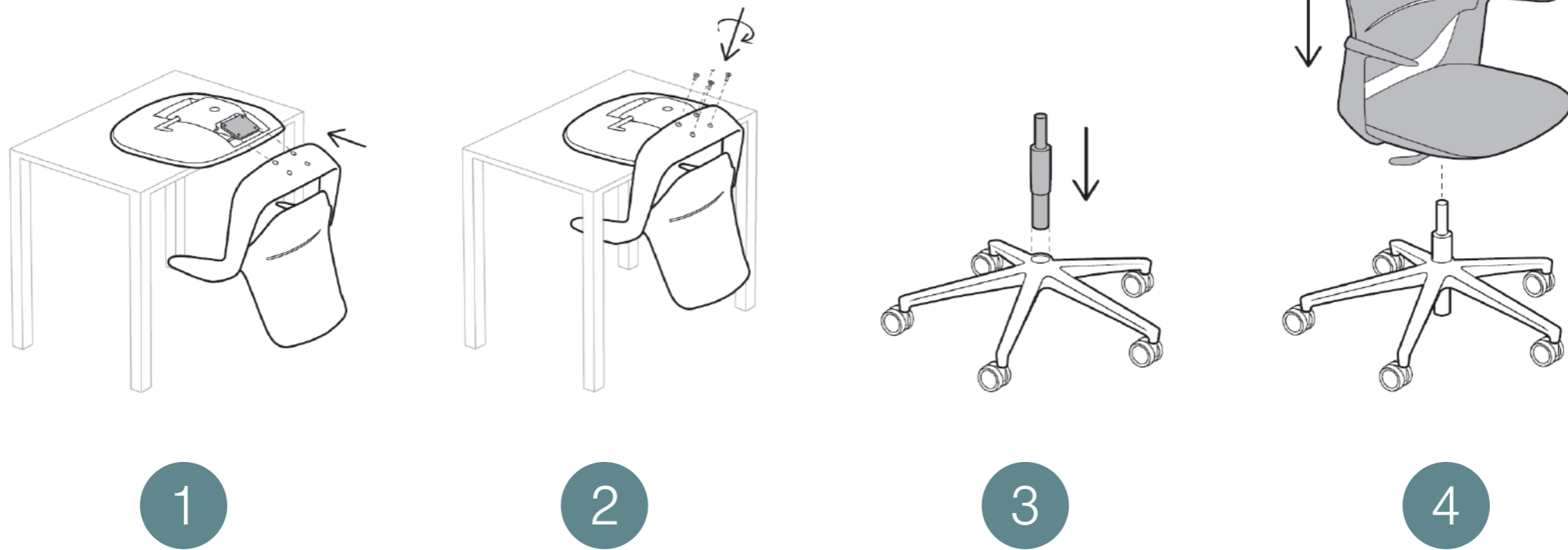


What makes Trillo^{Pro} special?

A small number of chair components - thanks to that chair is more friendly to our environment.



Easy assembly and disassembly



Where will it work?



Meeting rooms



Hot desks



Collaborative spaces



Technical data



Plastic backrest made of polyamide (PA with fiberglass). Available in version entirely plastic or with upholstered cover. Backrest pad - cut foam with a density of 35 kg/m³.

Fixed armrests.

Seat - plastic frame molded with polyurethane foam with a density of 70 kg/m³.

Gas lift with additional cushion for a better sitting comfort (version ST).

5-star base, polyamide (version ST) or 4-star, aluminium (version HST).

Castors hard or soft, with a brake. Option: teflon glides, black.



Synchronous mechanism SELF (self-weight) with the possibility of locking in two positions (basic and maximum reclined). ST version - with height adjustment function.

Product versions



Trillo^{Pro} 20ST



Trillo^{Pro} 20HST
glides



Trillo^{Pro} 20HST
castors



Trillo^{Pro} 30ST



Trillo^{Pro} 21ST



Trillo^{Pro} 21HST
glides



Trillo^{Pro} 21HST
castors



Trillo^{Pro} 31ST

Colors of plastics



Black

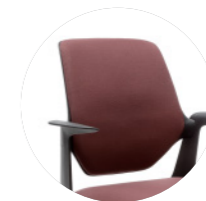


Light grey
(RAL 7047)

Backrests



Plastic



With upholstered
pad

Bases

5-star



4-star





Certificates

Quality, safety and ecology
is our priority.



www.blauer-engel.de/uz117



Trillo^{Pro} - summary



- Ideal for any place where the employee is not “tied to the desk”.
- Easy adjustment for quick adaptation to the needs of different users.
- Characteristic - memorable and draws attention.
- It ensures ergonomic and comfortable work position for everyone.
- Nice and modern - versatility that will appeal to most users of open offices.
- Economical, eco- and user - friendly chair - a small number of components and an attractive price.
- Easy and quick assembly.



profim

