



RBM Ana

Shell colours

-  Poppy (S)
-  Vanilla (S)
-  Sea Green (S)
-  Teal Blue (E)
-  Misty Grey (S)
-  Graphite (S)
-  Charcoal (S)

Base colours

-  Lingon RAL 3000 (E)
-  Snow RAL 9016 (S)
-  Sea Green (S)
-  Teal Blue (E)
-  Misty Grey (S)
-  Black RAL 9005 (S)
-  AluSilver RAL 9006 (S)
-  Chrome (S)

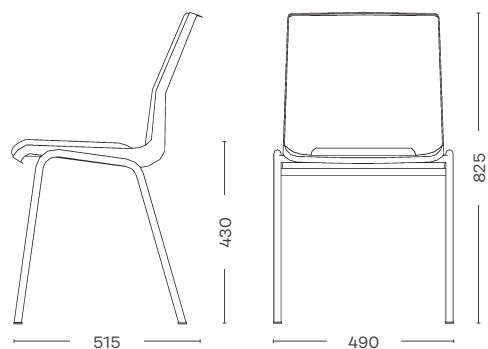
RBM Ana is a popular chair filling assembly halls, canteens, meeting rooms and cafeterias with activity.

RBM Ana is easy to position in rows and to stack. Available in a wide range of colours applicable for the polypropylene shells as well as the steel tubular frames.

The simple design in combination with the ergonomically crafted seat, makes RBM Ana a clear favourite.

Design by Tias Eckhoff

Bringing life to rooms



Model

- 4340 RBM Ana
- 4340S RBM Ana, seat upholstery
- 4340SR RBM Ana, seat and back upholstery

Product specification

- Polypropylene (PP) shell in various colours
- Weight: 3.7 kg model 4340
- Frame of 19 x 1.5 mm 4 leg tubular steel frame
- Stackable up to 12 chairs without upholstery (height: 1.83 m) and 10 chairs with upholstery (height: 1.65 m)
- May be linked together (using linking device)
- RBM Eminent table with suspension available for RBM Ana
- Tested in accordance with EN 16139, EN 1729 and Möbelfakta (Sweden)
- GREENGUARD certified
- Environmental Product Declaration (EPD)

Accessories/options

- Writing tablet in 12 mm beech or birch veneer
- Linking device, welded (black, alu-lacquer or chrome)
- Plastic linking device, black, detachable
- Felt glides
- Chair trolley with solid wheels

S = standard collection (colours/fabrics) – delivery time from factory within 15 working days

E = extended collection (colours/fabrics) – delivery time from factory within 30 working days

See RBM price list for further details



RBM by Flokk

flokk.com

